



"Since 1975 . . . serving the automotive industry and over 2,000 OEM customers"
www.judco.net

Focus-Lite™

FL10 / FL30 / FL80

Heat Shrink Tube Processing Machines

Focus-Lite™ 10

Specifications

Shrink Length: up to 1.0"

Largest Work Piece Diameter: 5/8"

Includes: Dimmer Switch, Adjustable Timer, Glare Shield, 6' power cord w/GFCI

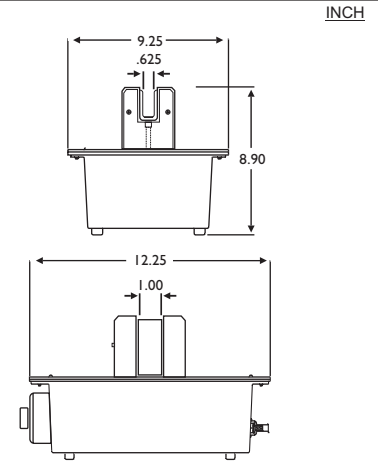
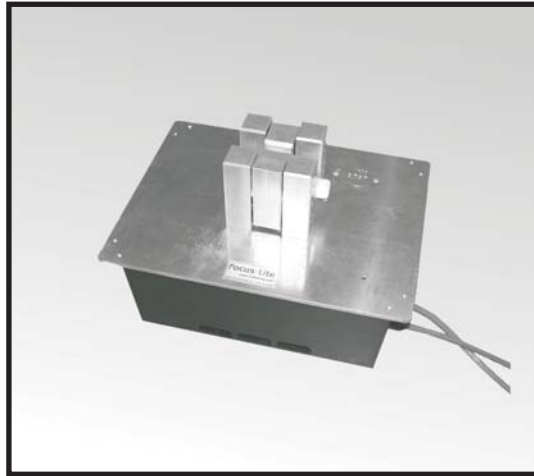
Activation: Foot pedal

Energy Used: 146 watts (avg.) / 125VAC

Bulb: Commercial quality Quartz Halogen

Avg. Shrink Time: 2-4 Seconds (polyolefin)

Ship Weight: 20lbs.



Contact factory for exact dimensions and specifications.

Focus-Lite™ 30

Specifications

Shrink Length: up to 2.25"

Largest Work Piece Diameter: 5/8"

Includes: Dimmer Switch, Adjustable Timer, Glare Shield, 6' power cord w/GFCI

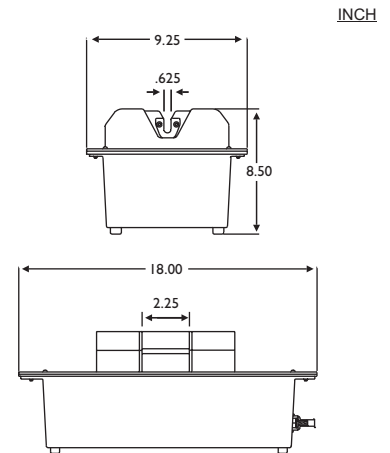
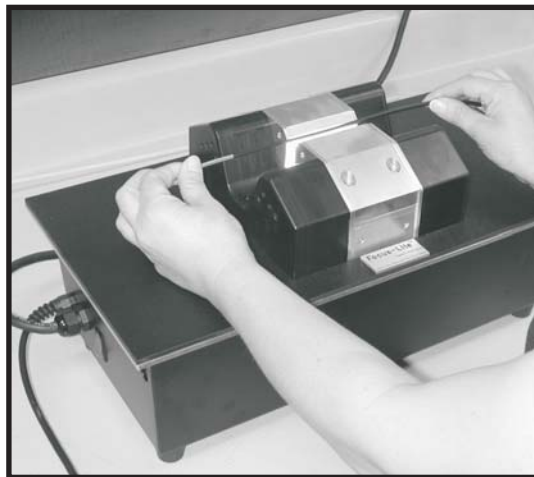
Activation: Foot pedal

Energy Used: 146 watts (avg.) / 125VAC

Bulb: Commercial quality Quartz Halogen

Avg. Shrink Time: 2-4 Seconds (polyolefin)

Ship Weight: 25lbs.



Contact factory for exact dimensions and specifications.

Focus-Lite™ 80

Specifications

Shrink Length: up to 8.0"

Largest Work Piece Diameter: 5/8"

Includes: Dimmer Switch, Adjustable Timer, Glare Shield, 6' power cord w/GFCI

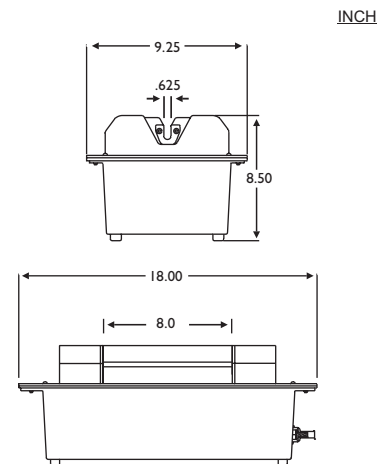
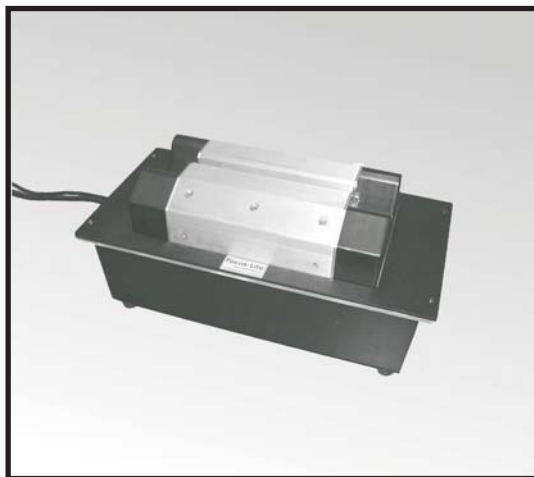
Activation: Foot pedal

Energy Used: 300 watts (avg.) / 125VAC

Bulb: Commercial quality Quartz Halogen

Avg. Shrink Time: 2-4 Seconds (polyolefin)

Ship Weight: 40lbs.



Contact factory for exact dimensions and specifications.



"Since 1975 . . . serving the automotive industry and over 2,000 OEM customers"
www.judco.net

Focus-Lite™

FL160 / FLG2 / FLG3

Heat Shrink Tube Processing Machines

Focus-Lite™ 160

Specifications

Shrink Length: From 1.0" - 16.0"

Largest Work Piece Diameter: 5/8"

Includes: Dimmer Switch, Adjustable Timer, Glare Shield, 6' power cord w/GFCI

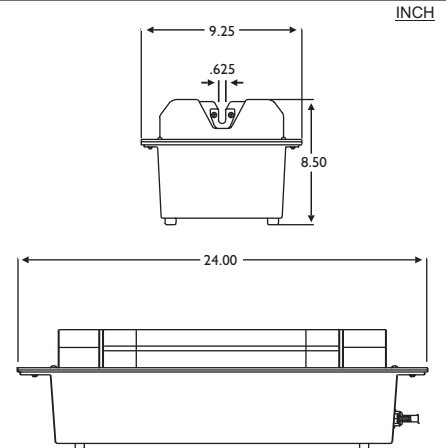
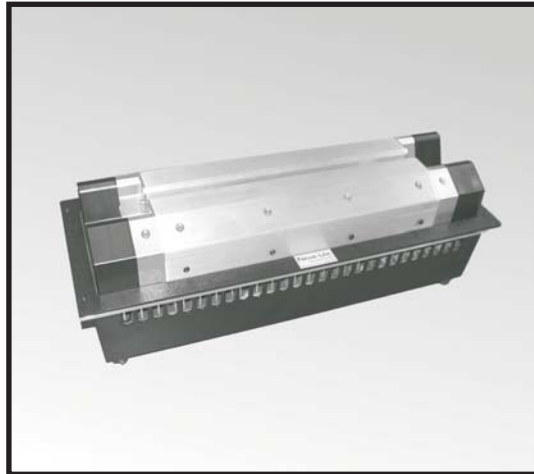
Activation: Foot pedal

Energy Used: 146 watts (avg.) / 125VAC

Bulb: Commercial quality Quartz Halogen

Avg. Shrink Time: 2-4 Seconds (polyolefin)

Ship Weight: 25lbs. to 40lbs.



Contact factory for exact dimensions and specifications.

Focus-Lite™ G2

Specifications

Shrink Length: up to 3.0"

Largest Work Piece Diameter: 1.5"

Includes: Dimmer Switch, Adjustable Timer, Glare Shield, 6' power cord w/GFCI

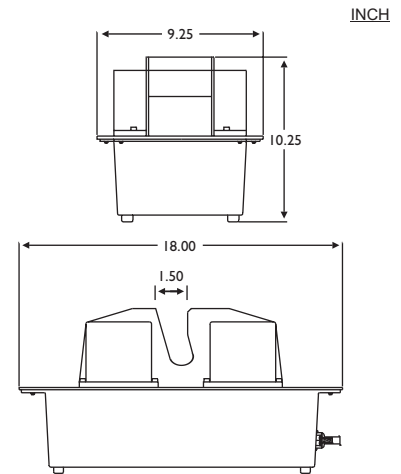
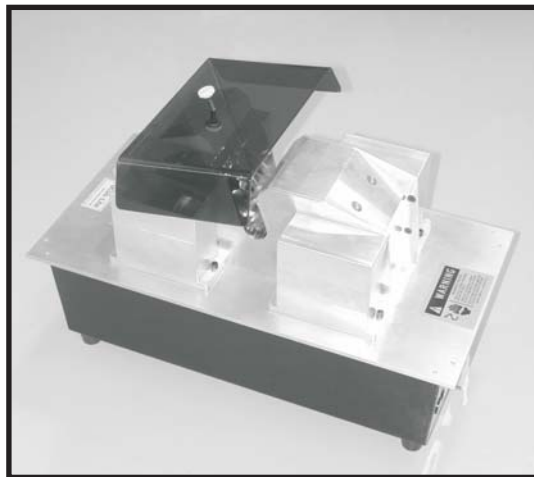
Activation: Foot pedal

Energy Used: 300 watts (avg.) / 125VAC

Bulb: Commercial quality Quartz Halogen

Avg. Shrink Time: 2-4 Seconds (polyolefin)

Ship Weight: 40lbs.



Contact factory for exact dimensions and specifications.

Focus-Lite™ G3 Hand-Held

Specifications

Shrink Length: up to 1.375"

Largest Work Piece Diameter: 5/8"

Includes: Dimmer Switch, Adjustable Timer, 6' power cord w/GFCI

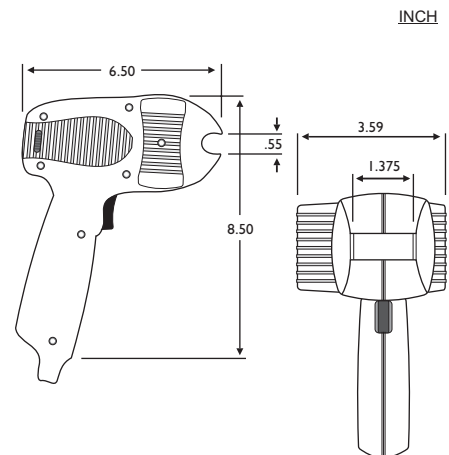
Activation: Trigger switch

Energy Used: 120 watts (avg.) / 125VAC

Bulb: Commercial quality Quartz Halogen

Avg. Shrink Time: 2-4 Seconds (polyolefin)

Ship Weight: 4lbs.



Contact factory for exact dimensions and specifications.